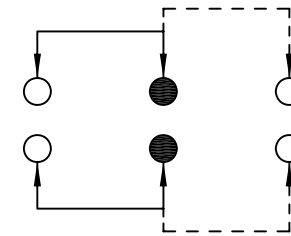
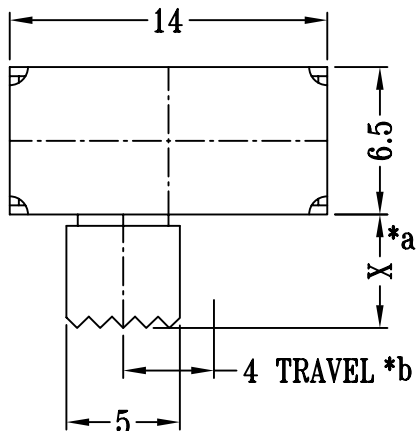
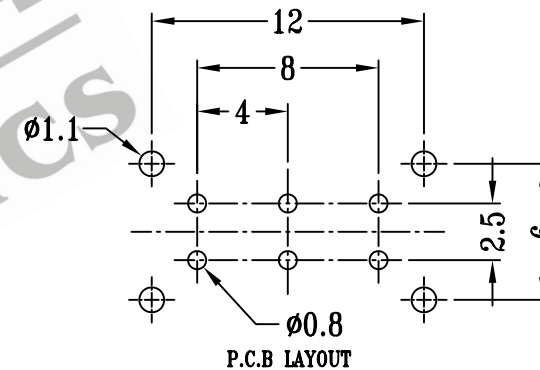
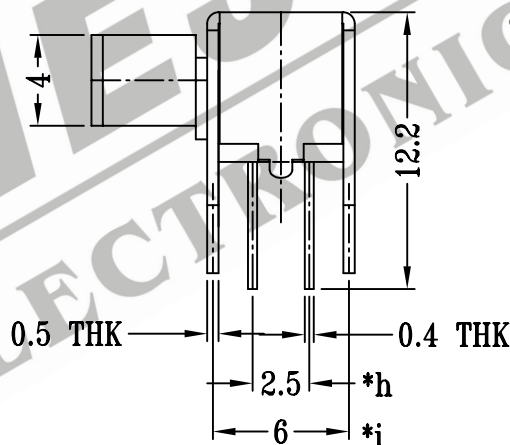
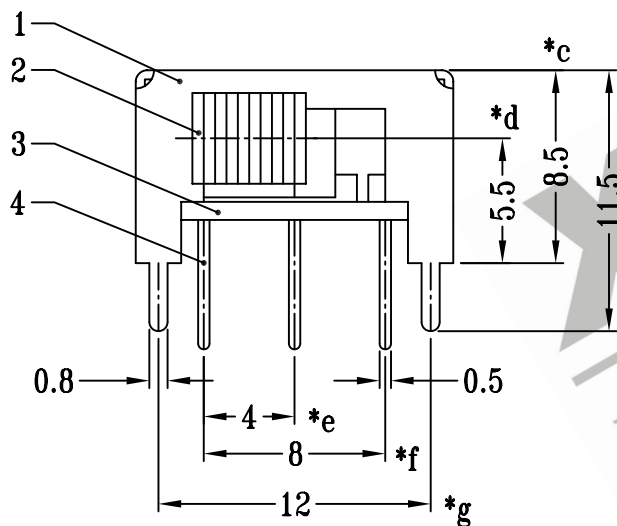


CAD FILE:



**SCHEMATIC (NON-SHORTING)**



注:带\*表示关键尺寸(9个)

8					TOLERANCE UNLESS SPECIFIED	SHENZHEN XIEJIA ELECTRONICS CO.,LTD.				
7	STEEL BALL	STEEL	1	NATURAL						
6	SPRING	STEEL WIRE	1	TEMPER	WITHIN :1.5±0.1mm	ISSUE	DATE	DESCRIPTIONS OF REVISION		APPD.
5	CONTACT CLIP	PBS STRIP	2	Ag CLAD	OVER :1.5±0.2mm					
4	TERMINAL	BRASS STRIP	6	Ag PLATED OVER Ni PLATED	TITLE : HORIZONTAL SLIDE SWITCH		UNIT : mm	DRWG NO.: XJ-DR-SK22H09-00		
3	BASE	PHENOLIC RESIN	1	NATURAL	MODEL: SK-22H09		SCALE: 3:1	DWN.	ZHOUYU	2000-3-6
2	KNOB	POM	1	BLACK	ALL MATERIALS MUST BE COMPLIANT TO ROHS			CHK'D	FANGYING	2000-3-6
1	FRAME	STEEL STRIP	1	Ni PLATED			APPD.	KANGXINAN	2000-3-6	
NO.	PARTS	MATERIALS	Q'TY	FINISH						